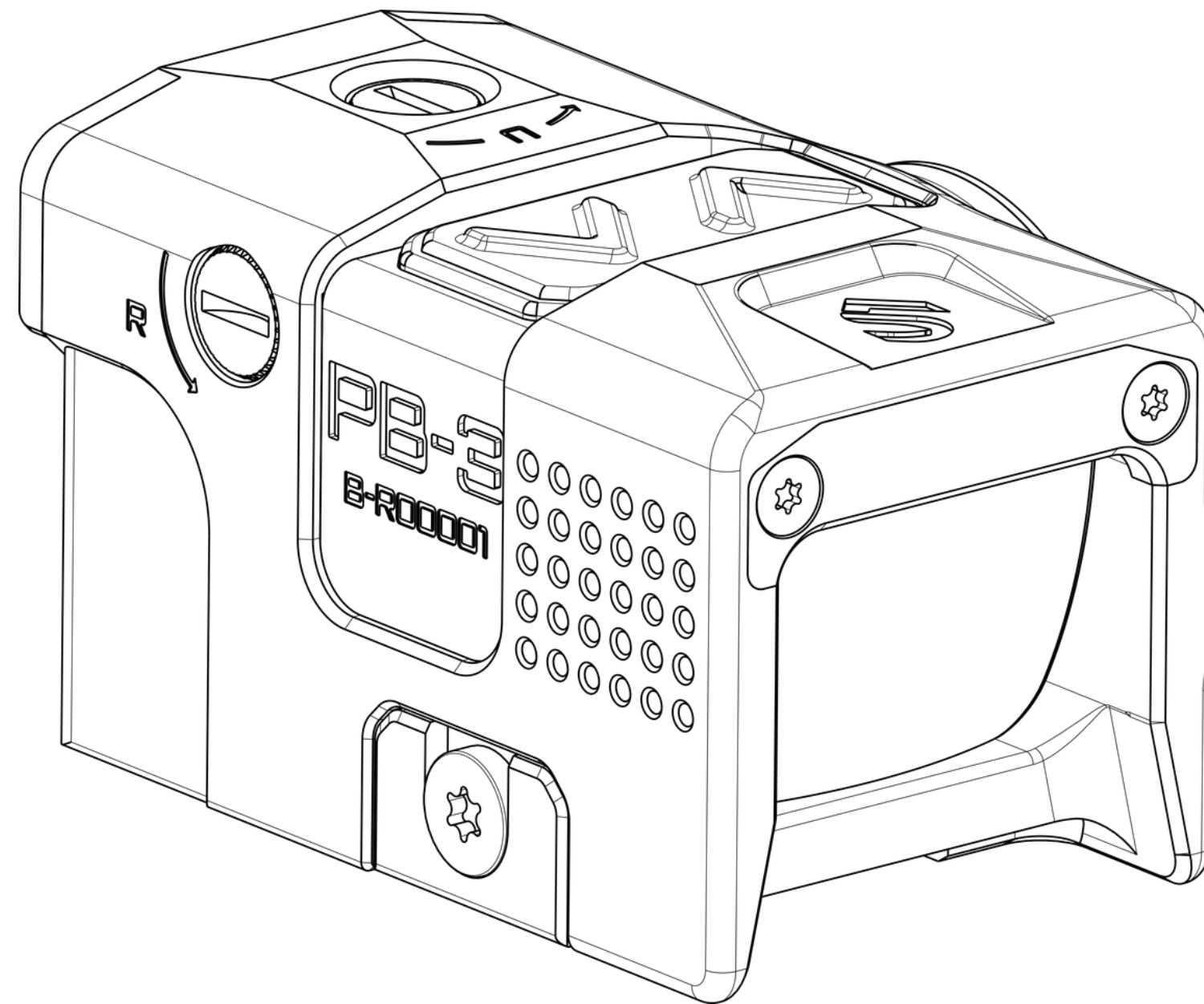


PANDORA PB-3

USER MANUAL





WARNING!



Before mounting the Pandora PB-3 ensure the firearm is NOT loaded. If you are unsure how to clear the weapon, please see the weapon's operator's manual. Ensure your firearm is unloaded and on safe before attempting to install, remove or perform maintenance.

Do not attempt to remove sealing plates or disassemble the optical assembly, which is purged, nitrogen-filled & sealed for fog resistance. Any attempted disassembly may void the warranty.

When adjusting elevation or windage, once increased resistance is felt, the end of the adjustment range has been reached. Do not rotate dials any further or serious damage may occur.

Do not use deteriorated or corroded batteries. Inspect batteries for damage before inserting into the battery housing. If any internal content of the battery is exposed, it could affect operation and cause permanent damage.



WARNING!



- **INGESTION HAZARD:** This product contains a button cell or coin battery.
- **DEATH** or serious injury can occur if ingested.
- A swallowed button cell or coin battery can cause Internal Chemical Burns in as little as 2 hours.
- **KEEP** new and used batteries **OUT OF REACH** of **CHILDREN**
- **Seek immediate medical attention** if a battery is suspected to be swallowed or inserted inside any part of the body



TABLE OF CONTENTS

• INTRODUCTION	5
• CONTENTS	6
• PRODUCT IDENTIFICATION	7
• SPECIFICATIONS	8
• OPERATION	9
• MOUNTING THE OPTIC	10
• ZEROING THE OPTIC	11
• BATTERY LIFE	12
• RETICLE	13
• TROUBLESHOOTING	14

INTRODUCTION

This user manual defines the basic operation, maintenance & features of the Pandora PB-3 proprietary optic system.

The PB-3 is a durable, non-magnifying optical sighting system designed specifically for close to-midrange engagement. Promoting extremely quick target acquisition/engagement at short range while still providing midrange targeting capabilities, the PB-3 is designed with a full field-of-view (FOV) to encourage optimal situational awareness.

CONTENTS

Pandora PB-3 includes the following:

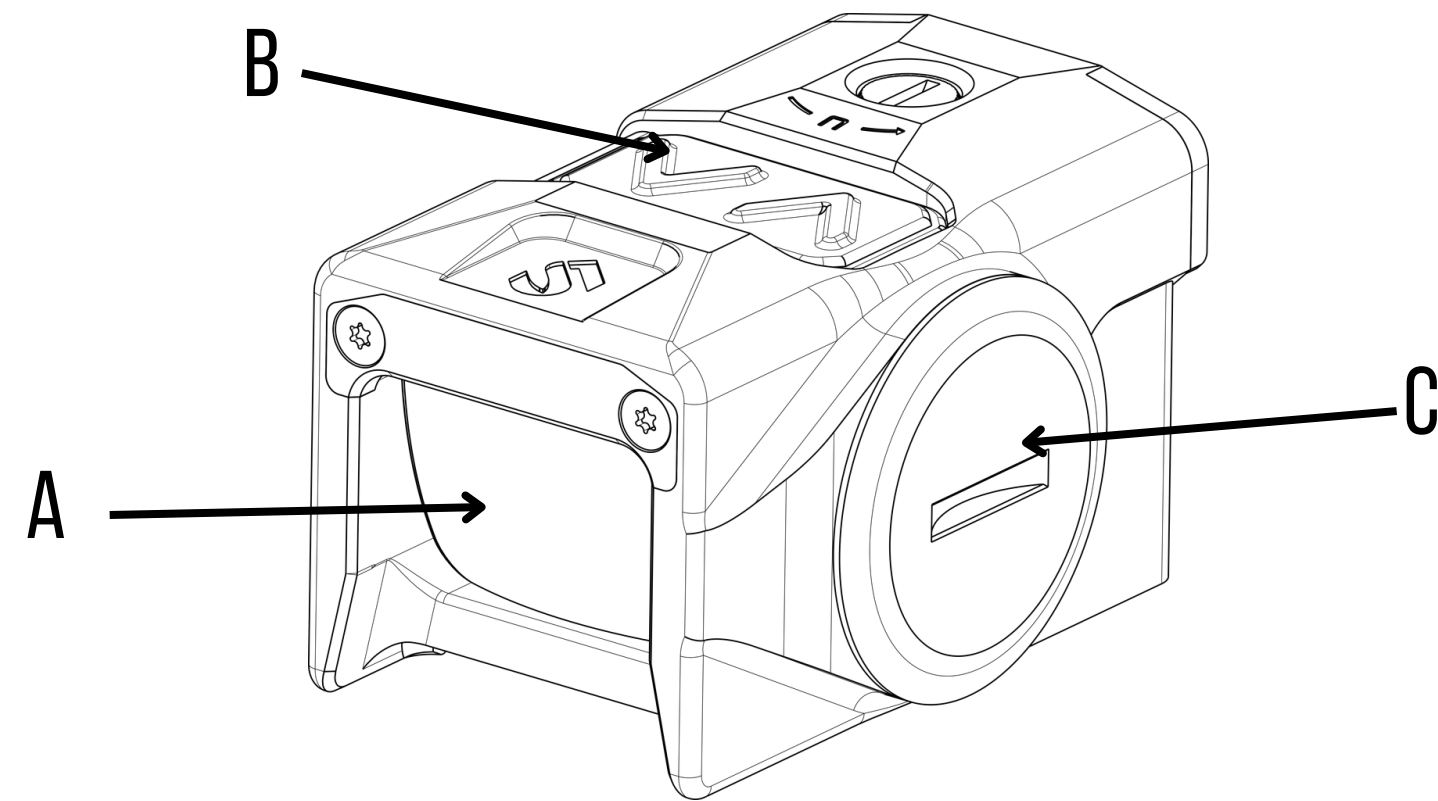
(1) PB-3 red dot optic

(1) CR2032 battery

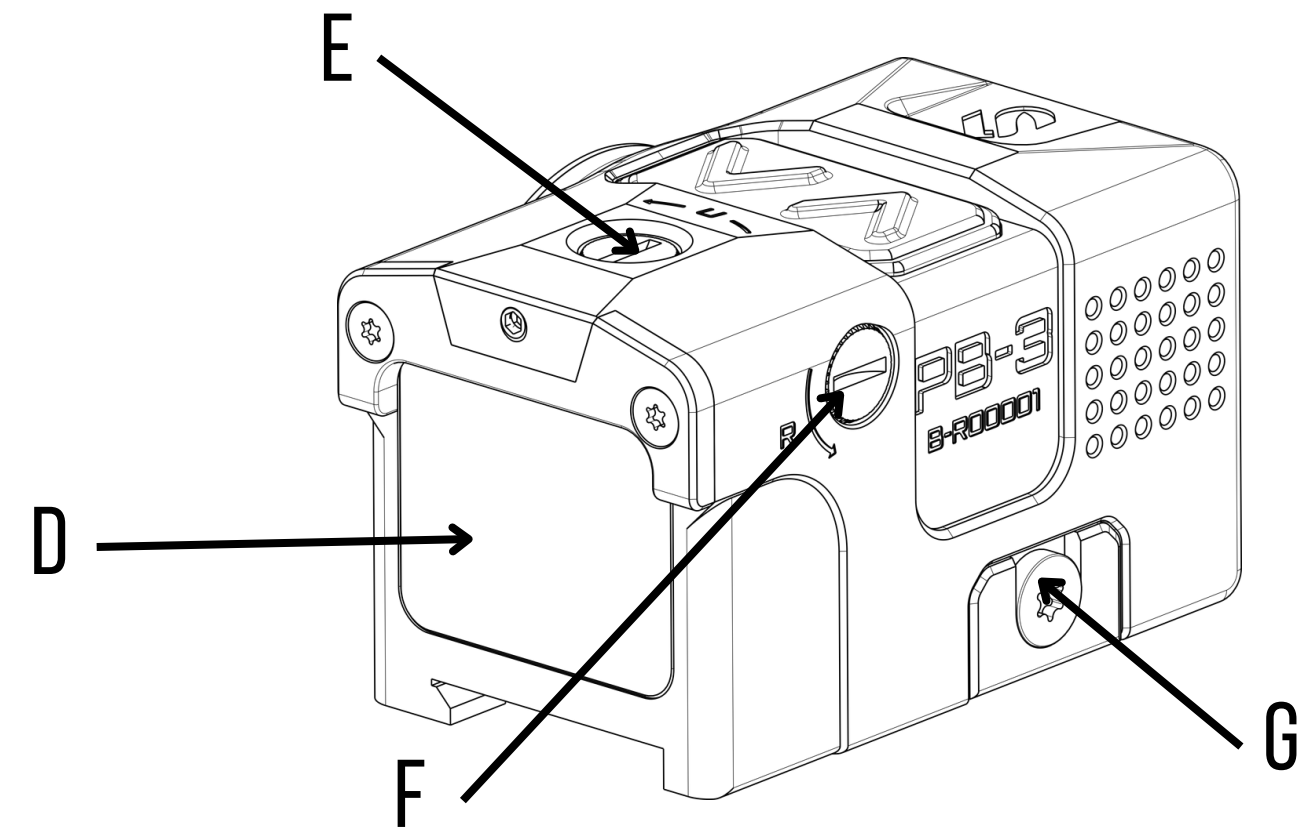
(1) Windage/elevation adjustment tool

(1) Microfiber cleaning cloth

PRODUCT IDENTIFICATION



A	OBJECTIVE LENS
B	BRIGHTNESS/MODE CONTROL SETTINGS
C	BATTERY COMPARTMENT
D	PROTECTIVE WINDOW



E	ELEVATION DIAL
F	WINDAGE DIAL
G	MOUNTING CLAMP

SPECIFICATIONS

MAGNIFICATION	1X
OBJECTIVE LENS SIZE	22mm x 17mm
ILLUMINATION COLOR	RED
PARALLAX	ZERO @33yd (30m)
CLICK ADJUSTMENT VALUE	1 MOA PER CLICK
WINDAGE & ELEVATION RANGE	100 MOA
BRIGHTNESS CONTROL	3 NVG SETTINGS AND 7 DAYLIGHT SETTINGS
WEIGHT	2.3oz
UNIT SIZE (L X W X H)	52mm x 34.8mm x 31.5mm
BATTERY	CR2032



OPERATION

TURNING ON

Pressing either button will turn the sight ON at the last used brightness setting.

TURNING OFF

Press & hold the UP arrow for three (3) seconds.

BRIGHTNESS LEVEL MEMORY

The Pandora will remain in the previous brightness setting when turned back on.

BRIGHTNESS

**Adjust the brightness by pressing the UP arrow to cycle up, and the DOWN arrow to cycle down.
The optic features 10 brightness settings (7 daylight + 3 night vision)**

AURAWAKE/RETICLES

Cycle reticles by pressing the UP and DOWN arrow at the same time. After 5 minutes of non use, the outer CQB ring will “sleep,” maintaining the 3MOA dot on at all times.

INSTALLATION

To install the PB-3:

Loosen the mounting screw using the included T-10 Torx wrench, and mate the fixed side of the optic clamp with the dovetail of the mount. Rock down into position, ensuring the recoil lug on the bottom of the optic fits in the appropriate recess in the mount.

With the recoil stop positioned in the recess, push the sight forward (toward muzzle) and tighten the mounting clamp screw.

Tighten the screw until a light resistance is encountered. Proceed with another 1/4 to 1/2 turn until fully tightened (MAX. 1.7 Nm / 15 in/lbs).



ZEROING

CAUTION: Do not continue to adjust windage and elevation dials if you encounter resistance. Doing so may void your warranty. If you are unable to zero your optic, there may be an issue with the mount. Contact our customer service for further assistance.

Adjust the dot brightness to a comfortable setting for the reticle to contrast clearly against the target. Turn the adjustment dials with a small flathead screwdriver, or the rim of a cartridge casing.

To move the Point of Impact UP, rotate the elevation adjustment counterclockwise.

To move the Point of Impact DOWN, rotate the elevation adjustment clockwise.

To move the Point of Impact LEFT, rotate the windage adjustment clockwise.

To move the Point of Impact RIGHT, rotate the windage adjustment counterclockwise.

Confirm zeroing by firing at least three shots at a zeroing target. Check points of impact to confirm accuracy and repeat zeroing procedure if required.

1 click = 1" at 100 yards or 0.25" at 25 yards

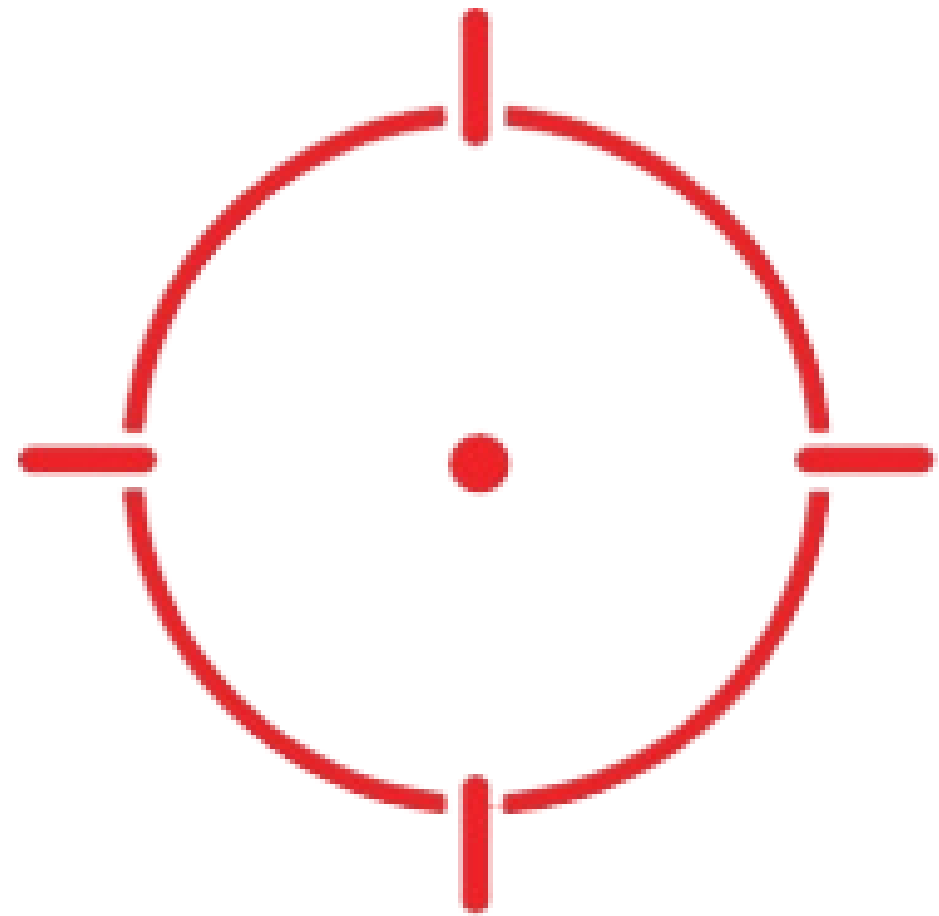
ESTIMATED BATTERY LIFE

[DOT ONLY RETICLE]

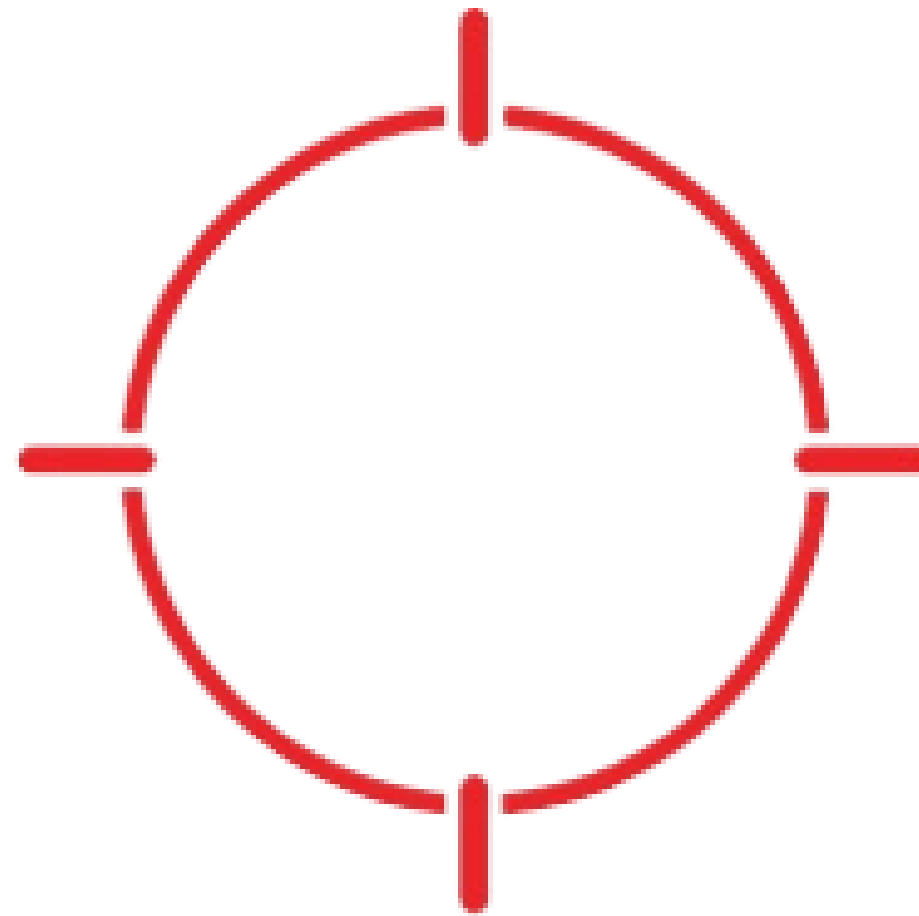
BRIGHTNESS LEVEL	1	2	3	4	5	6	7	8	9	10 (NUCLEAR)
RUN TIME (HRS)	800,000	480,000	342,857	120,000	45,283	13,793	5,882	2,762	1,649	354

(Extreme temperature conditions may shorten battery life.)

RETICLE



32 MOA RING + 3 MOA DOT



32 MOA RING ONLY



3 MOA DOT ONLY



RED DOT TROUBLESHOOTING

If the red dot does not appear or has disappeared from the window, make sure contact surfaces in the battery compartment are clean and verify that a working battery (CR2032) is installed correctly.

If the sight is impossible to zero, or an adjustment dial has reached maximum tension, check the alignment of mount and barrel. If point of impact is moving, check if the optic is securely installed on the weapon and check weapon rail stability.

Clean lenses with lens paper/cloth and wipe the sight dry as soon as possible after exposure to water, mud, or snow. Never clean optic lens with dry paper/cloth, always use water or isopropyl alcohol.

If you encounter any further issues that are not solved through troubleshooting, please reach out to customer service. The Pandora, like our other products, is backed by our Lifetime Guarantee.

customerservice@leadandsteel.com