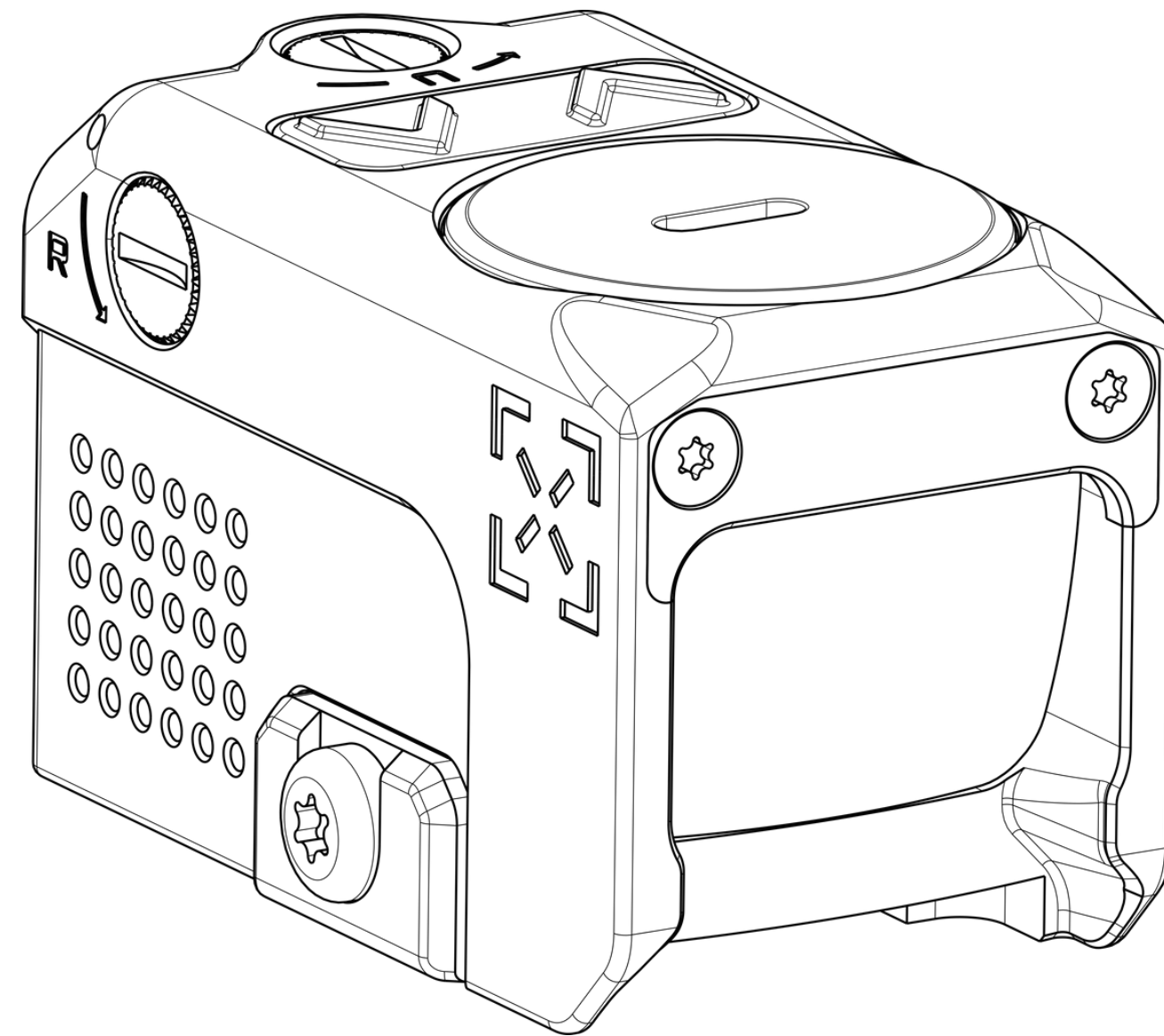


# PANDORA PB-K

## USER MANUAL





# WARNING!



**Before mounting the Pandora PB-K ensure the firearm is NOT loaded. If you are unsure how to clear the weapon, please see the weapon's operator's manual. Ensure your firearm is unloaded and on safe before attempting to install, remove or perform maintenance.**

**Do not attempt to remove sealing plates or disassemble the optical assembly, which is purged, nitrogen-filled & sealed for fog resistance. Any attempted disassembly may void the warranty.**

**When adjusting elevation or windage, once increased resistance is felt, the end of the adjustment range has been reached. Do not rotate dials any further or serious damage may occur.**

**Do not use deteriorated or corroded batteries. Inspect batteries for damage before inserting into the battery housing. If any internal content of the battery is exposed, it could affect operation and cause permanent damage.**



# WARNING!



- **INGESTION HAZARD:** This product contains a button cell or coin battery.
- **DEATH** or serious injury can occur if ingested.
- A swallowed button cell or coin battery can cause Internal Chemical Burns in as little as 2 hours.
- **KEEP** new and used batteries **OUT OF REACH** of **CHILDREN**
- **Seek immediate medical attention** if a battery is suspected to be swallowed or inserted inside any part of the body



## TABLE OF CONTENTS

• INTRODUCTION	5
• CONTENTS	6
• PRODUCT IDENTIFICATION	7
• SPECIFICATIONS	8
• OPERATION	9
• MOUNTING THE OPTIC	10
• ZEROING THE OPTIC	11
• BATTERY LIFE	12
• TROUBLESHOOTING	13

## **INTRODUCTION**

**This user manual defines the basic operation, maintenance & features of the Pandora PB-K proprietary optic system.**

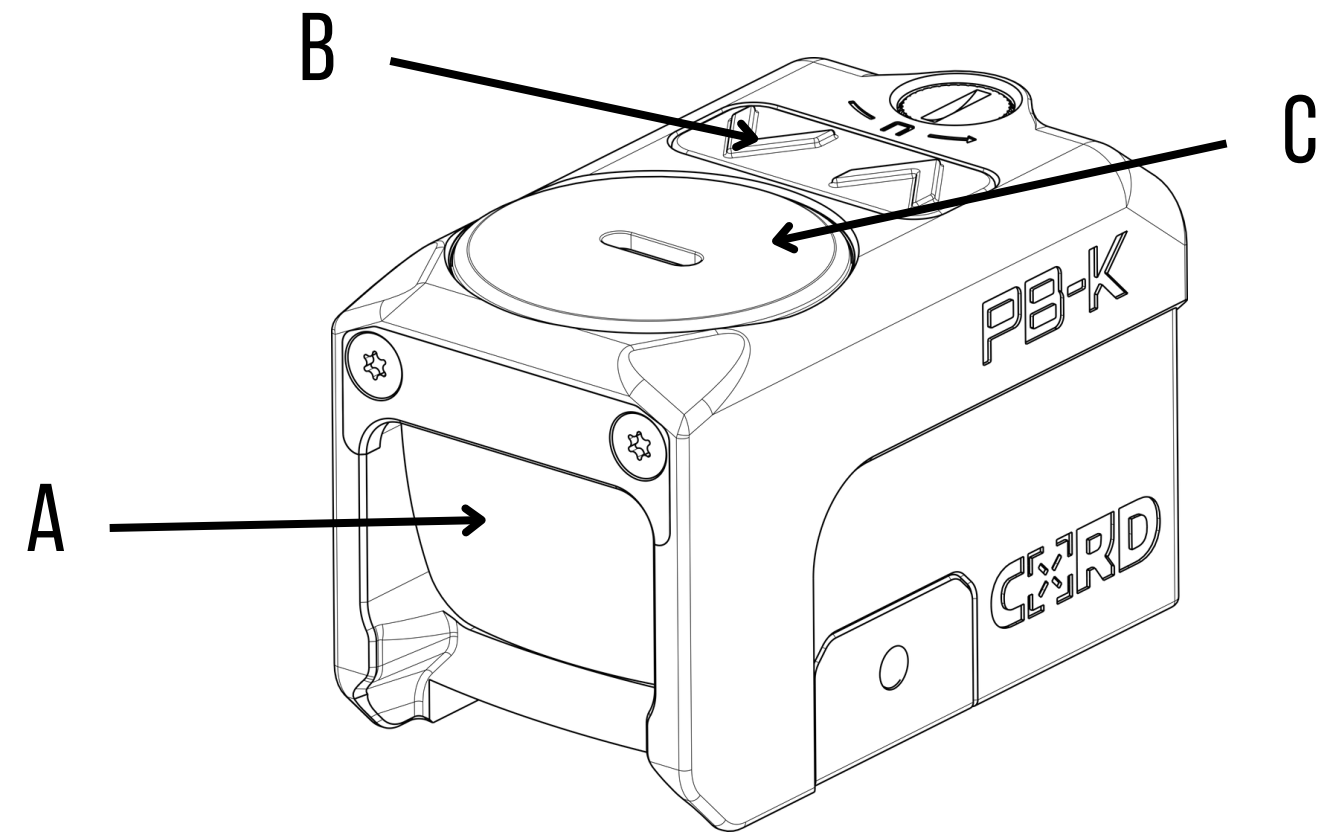
**The PB-K is a durable, non-magnifying optical sighting system designed specifically for close to-midrange engagement. Promoting extremely quick target acquisition/engagement at short range while still providing midrange targeting capabilities, the PB-K is designed with a full field-of-view (FOV) to encourage optimal situational awareness.**

## **CONTENTS**

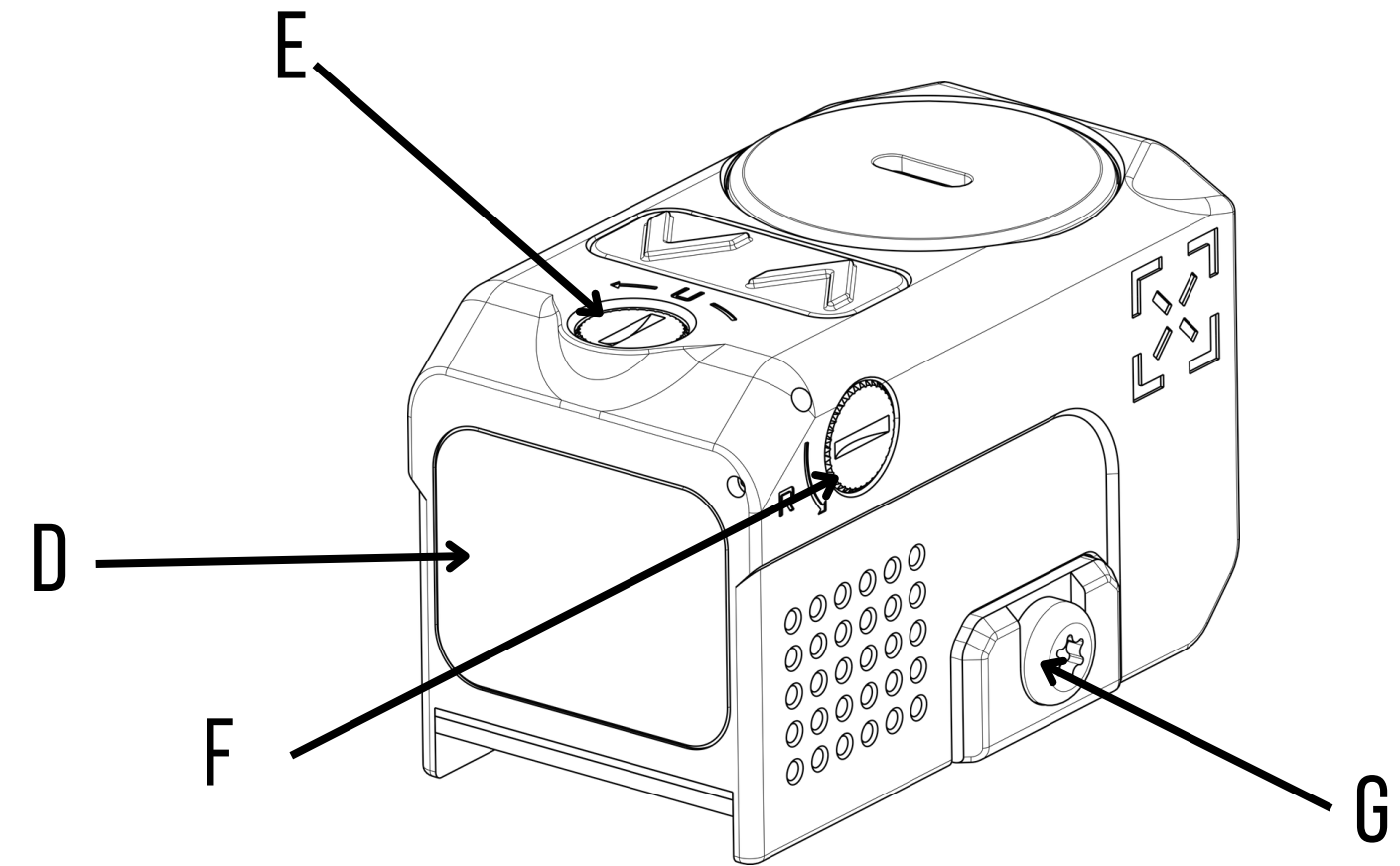
**Pandora PB-K includes the following:**

- (1) PB-K red dot optic**
- (1) RMSc Ghost Adapter Plate**
- (1) Set of M3 fasteners**
- (1) Set of M4 fasteners**
- (1) CR1620 battery and battery cap**
- (1) CR1632 battery and battery cap**
- (1) Windage/elevation adjustment tool**
- (1) Microfiber cleaning cloth**

## PRODUCT IDENTIFICATION



A	OBJECTIVE LENS
B	BRIGHTNESS CONTROL SETTINGS
C	BATTERY COMPARTMENT
D	OCULAR LENS



E	ELEVATION DIAL
F	WINDAGE DIAL
G	MOUNTING BRACKET

## SPECIFICATIONS

<b>MAGNIFICATION</b>	<b>1X</b>
<b>OBJECTIVE LENS DIAMETER</b>	<b>22 x 15mm</b>
<b>RETICLE COLOR</b>	<b>RED</b>
<b>PARALLAX</b>	<b>FIXED PARALLAX</b>
<b>CLICK ADJUSTMENT VALUE</b>	<b>1 MOA PER CLICK</b>
<b>WINDAGE &amp; ELEVATION RANGE</b>	<b>100 MOA</b>
<b>BRIGHTNESS CONTROL</b>	<b>3 NVG SETTINGS AND 7 DAYLIGHT SETTINGS</b>
<b>WEIGHT</b>	<b>1.7 OZ</b>
<b>UNIT SIZE (L X W X H)</b>	<b>45mm x 25mm x 28.8mm</b>
<b>BATTERY</b>	<b>CR1620 OR CR1632</b>



## **OPERATION**

### **TURNING ON**

**Pressing either button will turn the sight ON at the last used brightness setting.**

### **TURNING OFF**

**Press & hold the UP arrow for three (3) seconds.**

### **BRIGHTNESS LEVEL MEMORY**

**The Pandora will remain in the previous brightness setting when turned back on.**

### **BRIGHTNESS**

**Adjust the brightness by pressing the UP arrow to cycle up, and the DOWN arrow to cycle down.  
The optic features 10 brightness settings (7 daylight + 3 night vision)**

### **AURAWAKE/RETICLES**

**Cycle reticles by pressing the UP and DOWN arrow at the same time. After 5 minutes of non use, the outer CQB ring will “sleep,” maintaining the 3MOA dot on at all times.**

## **INSTALLATION**

**To install the PB-K:**

**Loosen the mounting screw using the included T-10 Torx wrench, and mate the fixed side of the optic clamp with the dovetail of the mount. Rock down into position, ensuring the recoil lug on the bottom of the optic fits in the appropriate recess in the mount.**

**With the recoil stop positioned in the recess, push the sight forward (toward muzzle) and tighten the mounting clamp screw.**

**Tighten the screw until a light resistance is encountered. Proceed with another 1/4 to 1/2 turn until fully tightened (MAX. 3 Nm / 15in/lbs).**



## **OPTIC PLATE INSTALLATION**

**To install the RMsC Ghost Adapter Plate:**

**Place the adapter plate into position on slide, select the appropriate fasteners, and tighten to 15in/lbs. Blue threadlocker is recommended to prevent screws from backing out under recoil.**

**CAUTION: Always use screws that match your slide or adapter plate's thread pitch and depth. Using incorrect screws can damage your firearm or optic. Multiple screw lengths and thread pitches included. Refer to your firearm manufacturer's optic mounting specs to select the correct pair.**



## **ZEROING**

**CAUTION: Do not continue to adjust windage and elevation dials if you encounter resistance. Doing so may void your warranty. If you are unable to zero your optic, there may be an issue with the mount. Contact our customer service for further assistance.**

**Adjust the dot brightness to a comfortable setting for the reticle to contrast clearly against the target. Turn the adjustment dials with a small flathead screwdriver, or the rim of a cartridge casing.**

**To move the Point of Impact UP, rotate the elevation adjustment counterclockwise.**

**To move the Point of Impact DOWN, rotate the elevation adjustment clockwise.**

**To move the Point of Impact LEFT, rotate the windage adjustment clockwise.**

**To move the Point of Impact RIGHT, rotate the windage adjustment counterclockwise.**

**Confirm zeroing by firing at least three shots at a zeroing target. Check points of impact to confirm accuracy and repeat zeroing procedure if required.**

**1 click = 1" at 100 yards or 0.25" at 25 yards**



## ESTIMATED BATTERY LIFE

[DOT ONLY RETICLE] (CR1632)

BRIGHTNESS LEVEL	1	2	3	4	5	6	7	8	9	10 (NUCLEAR)
RUN TIME (HRS)	497778	298667	213333	74667	28176	8582	3660	1719	1026	220

[DOT ONLY RETICLE] (CR1620)

BRIGHTNESS LEVEL	1	2	3	4	5	6	7	8	9	10 (NUCLEAR)
RUN TIME (HRS)	284444	170667	121905	42667	16101	4904	2091	982	586	126

(Extreme temperature conditions may shorten battery life.)



## **RED DOT TROUBLESHOOTING**

**If the red dot does not appear or has disappeared from the window, make sure contact surfaces in the battery compartment are clean and verify that a working battery (CR1620 or CR1632) is installed correctly.**

**If the sight is impossible to zero, or an adjustment dial has reached maximum tension, check the alignment of mount and barrel. If point of impact is moving, check if the optic is securely installed on the weapon and check weapon rail stability.**

**Clean lenses with lens paper/cloth and wipe the sight dry as soon as possible after exposure to water, mud, or snow. Never clean optic lens with dry paper/cloth, always use water or isopropyl alcohol.**

**If you encounter any further issues that are not solved through troubleshooting, please reach out to customer service. The Pandora, like our other products, is backed by our Lifetime Guarantee.**

**[customerservice@leadandsteel.com](mailto:customerservice@leadandsteel.com)**