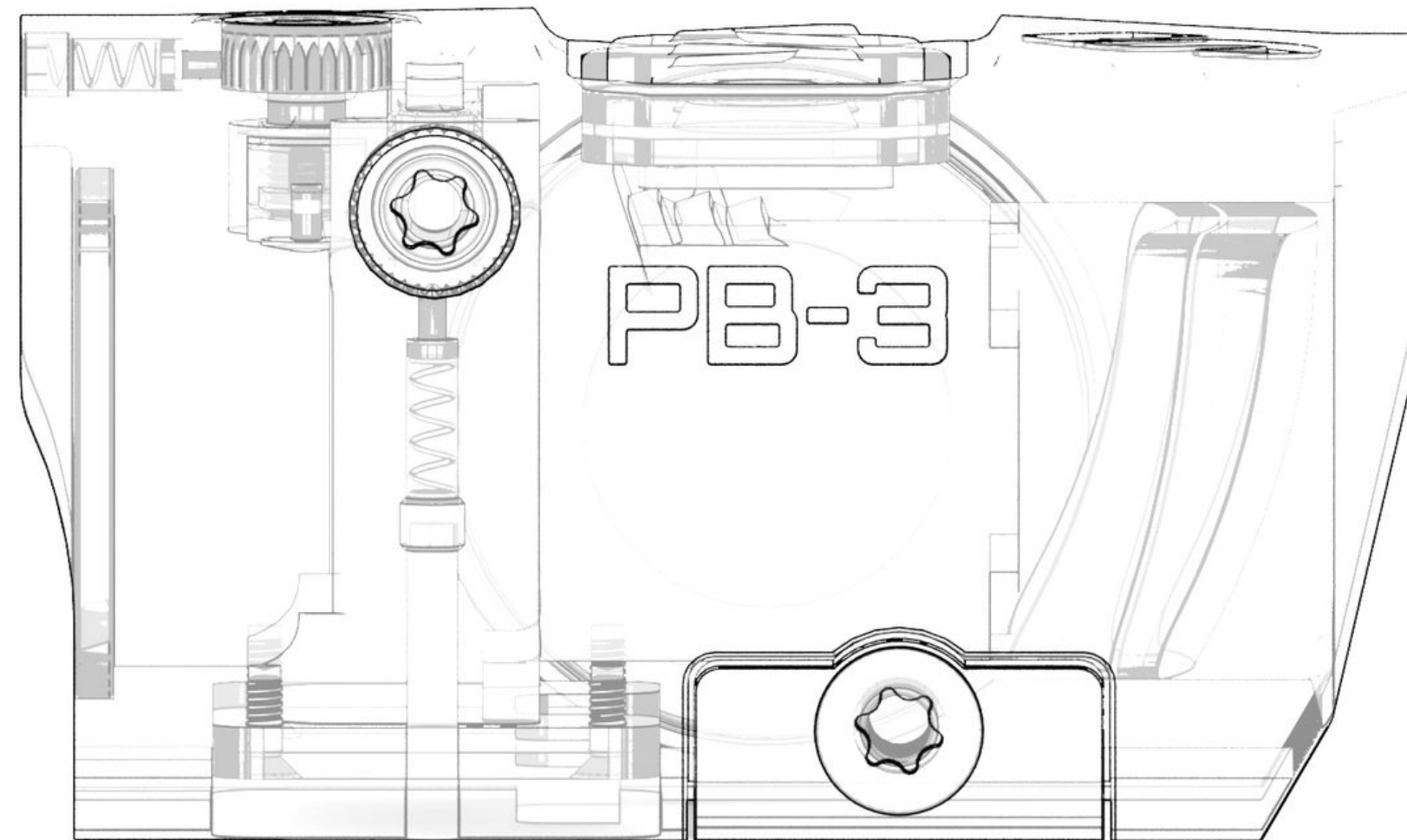


# PANDORA PB-3

## USER MANUAL





# WARNING!



**Before mounting the Pandora PB-3 ensure the firearm is NOT loaded. If you are unsure how to clear the weapon, please see the weapon's operator's manual. Ensure your firearm is unloaded and on safe before attempting to install, remove or perform maintenance.**

**Do not attempt to remove sealing plates or disassemble the optical assembly, which is purged, nitrogen-filled & sealed for fog resistance. Any attempted disassembly may void the warranty.**

**When adjusting elevation or windage, once increased resistance is felt, the end of the adjustment range has been reached. Do not rotate dials any further or serious damage may occur.**

**Do not use deteriorated or corroded batteries. Inspect batteries for damage before inserting into the battery housing. If any internal content of the battery is exposed, it could affect operation and cause permanent damage.**

# TABLE OF CONTENTS

• INTRODUCTION	4
• CONTENTS	5
• PRODUCT IDENTIFICATION	6
• SPECIFICATIONS	7
• OPERATION	8
• MOUNTING THE OPTIC	9
• ZEROING THE OPTIC	10
• BATTERY LIFE	11
• TROUBLESHOOTING	12

# INTRODUCTION

**This user manual defines the basic operation, maintenance & features of the Pandora PB-3 proprietary optic system.**

**The PB-3 is a durable, non-magnifying optical sighting system designed specifically for close to-midrange engagement. Promoting extremely quick target acquisition/engagement at short range while still providing mid range targeting capabilities, the PB-3 is designed with a full field-of-view (FOV) to encourage optimal situational awareness.**

# **CONTENTS**

**Pandora PB-3 includes the following:**

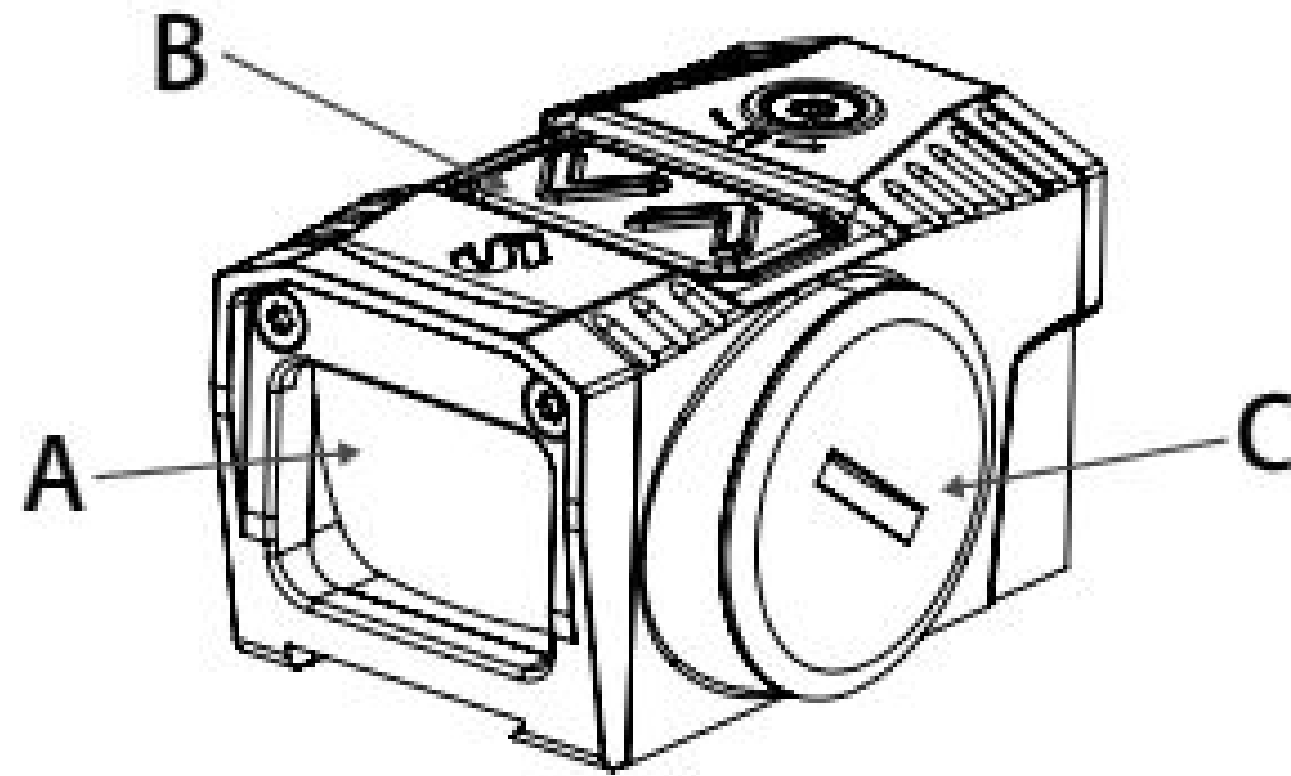
**(1) PB-3 red dot optic**

**(1) CR2032 battery**

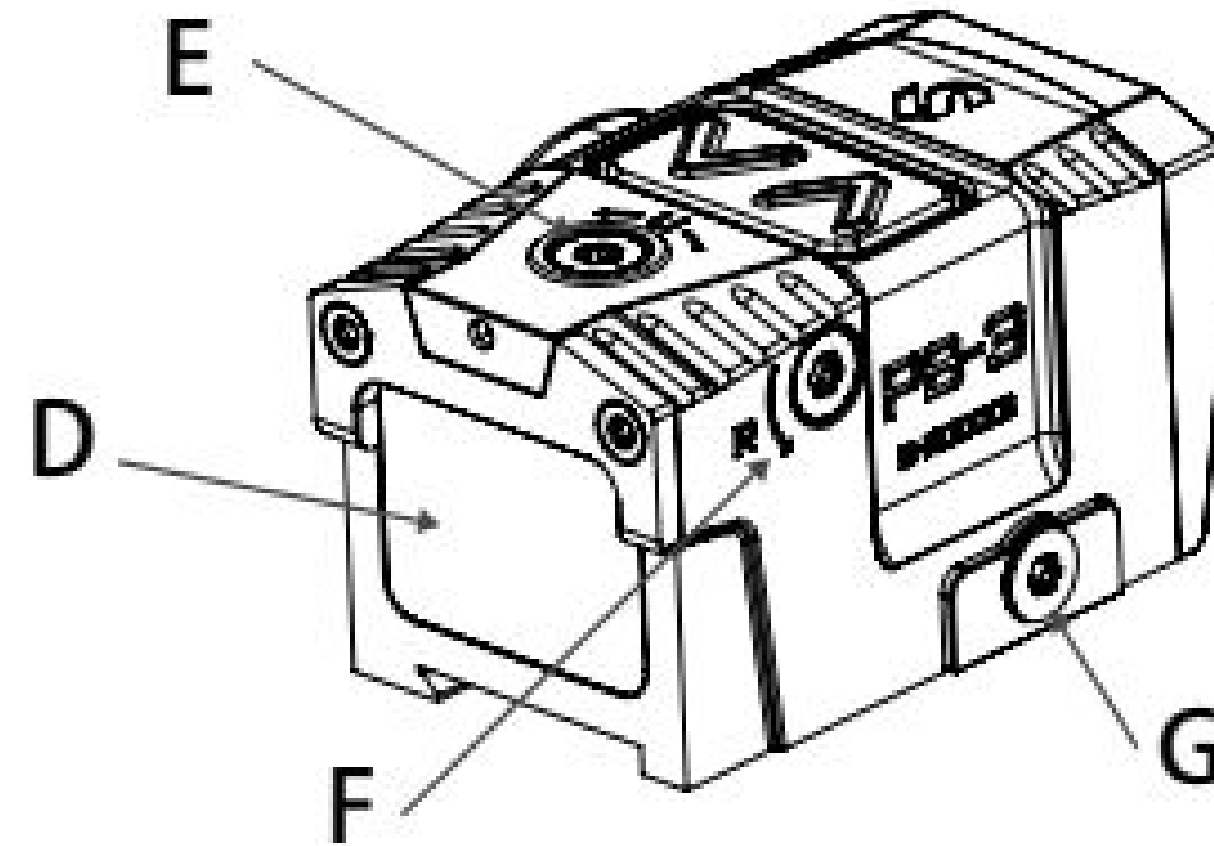
**(1) Windage/elevation adjustment tool**

**(1) Lens wipe**

# PRODUCT IDENTIFICATION



A	OBJECTIVE LENS
B	BRIGHTNESS CONTROL SETTINGS
C	BATTERY COMPARTMENT
D	OCULAR LENS



E	ELEVATION DIAL
F	WINDAGE DIAL
G	MOUNTING BRACKET

# SPECIFICATIONS

<b>MAGNIFICATION</b>	<b>1X</b>
<b>OBJECTIVE LENS DIAMETER</b>	<b>22 X 17</b>
<b>RETICLE COLOR</b>	<b>RED</b>
<b>PARALLAX</b>	<b>PARALLAX FREE</b>
<b>CLICK ADJUSTMENT VALUE</b>	<b>1 MOA PER CLICK</b>
<b>WINDAGE &amp; ELEVATION RANGE</b>	<b>100 MOA</b>
<b>BRIGHTNESS CONTROL</b>	<b>3 NVG SETTINGS AND 7 DAYLIGHT SETTINGS</b>
<b>WEIGHT</b>	<b>2.3 OZ</b>
<b>UNIT SIZE (L X W X H)</b>	<b>52.5 x 34 x 30mm</b>
<b>BATTERY</b>	<b>CR2032</b>

## **OPERATION**

### **TURNING ON**

**Pressing either button will turn the sight ON at the last saved brightness setting.**

### **TURNING OFF**

**Press & hold the UP arrow for three (3) seconds.**

### **LEVEL MEMORY**

**The Pandora will remain in the previous brightness setting when turned back on.**

### **BRIGHTNESS**

**Adjust the brightness by pressing the UP arrow to cycle up, and the DOWN arrow to cycle down.**

**The optic features 10 brightness settings (7 daylight + 3 night vision)**



## **MOUNTING**

**To install the PB-3:**

**Loosen the mounting screw using the included windage tool and clamp the locking bar around the dovetail interface.**

**With the recoil stop positioned in the recess, push the sight forward (toward muzzle) and tighten the mounting bracket screw.**

**Tighten the screw until a light resistance is encountered. Proceed with another 1/4 to 1/2 turn until fully tightened (MAX. 3 Nm / 25in/lbs).**

# ZEROING

## ZEROING CAUTION

**Do not continue to adjust windage and elevation dials if you encounter resistance.**

**Adjust the dot brightness to a comfortable setting for the red dot to contrast clearly against the target. Use the included adjustment tool to turn the adjustment dials.**

**To move the Point of Impact UP, rotate the elevation adjustment LEFT.**

**To move the Point of Impact DOWN, rotate the elevation adjustment RIGHT.**

**To move the Point of Impact LEFT, rotate the windage adjustment clockwise.**

**To move the Point of Impact RIGHT, rotate the windage adjustment counter clockwise.**

**Confirm zeroing by firing at least three shots at a zeroing target. Check points of impact to confirm accuracy and repeat zeroing procedure if required.**

# BATTERY LIFE

BRIGHTNESS LEVEL	1	2	3	4	5	6	7	8	9	10 (NUCLEAR)
RUN TIME (HRS)	800,000	480,000	342,857	120,000	45,283	13,793	5,882	2,762	1,649	354

## **RED DOT TROUBLESHOOTING**

**If the red dot does not appear or has disappeared from the window, make sure contact surfaces in the battery compartment are clean and verify that a working battery (CR2032) is installed correctly. (Extreme cold conditions may shorten battery life.)**

**If the sight is impossible to zero, or an adjustment dial has reached maximum tension, check the alignment of mount and barrel. If point of impact is moving, check if the optic is securely installed on the weapon and check weapon rail stability.**

**Clean lenses with lens paper/cloth and wipe the sight dry as soon as possible after exposure to water, mud, or snow. Never clean optic lens with dry paper/cloth, always use water or isopropyl alcohol.**

**If you encounter any further issues that are not solved through troubleshooting, please reach out to L&S customer service. The Pandora, like our other products, is backed by the L&S Lifetime Guarantee.**