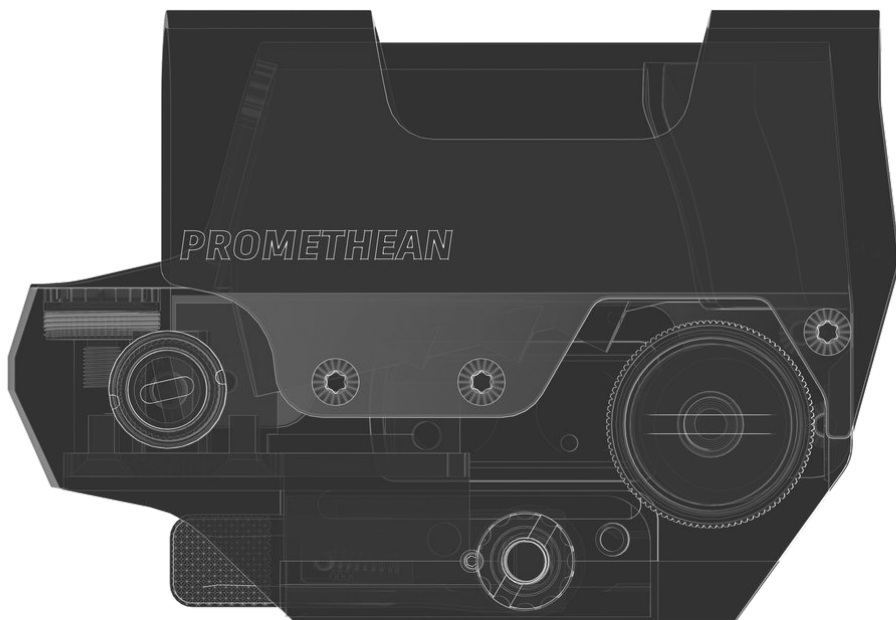


PROMETHEAN LP-1

USER MANUAL





WARNING



Before mounting the LP-1 to either a 1" (25.4mm) Weaver or MIL-STD-1913 rail, ensure the weapon is NOT loaded. If you are unsure how to clear the weapon, please see the weapon's operator's manual. Ensure the selector is in the "safe" position before attempting to install, remove or perform maintenance.

Do not attempt to disassemble the optical assembly, which is purged, nitrogen-filled & sealed for fog resistance. Any attempted disassembly will void the warranty.

When adjusting elevation or windage, once increased resistance is felt, the end of the adjustment range has been reached. Do not continue to rotate elevation nor windage any further or serious damage may occur.

Dampen glass surfaces prior to cleaning. Never clean with a dry cloth or paper towel. Do not use deteriorated or corroded batteries. Inspect batteries for damage before inserting into the battery housing. If any internal content of the battery is exposed, it could affect operation and cause permanent damage.

TABLE OF CONTENTS

• INTRODUCTION	4
• CONTENTS	5
• PRODUCT IDENTIFICATION	6
• SPECIFICATIONS	7
• OPERATION	8-9
• MOUNTING THE OPTIC	10
• SIGHT ADJUSTMENTS	11-12
• MAINTENANCE AND TROUBLESHOOTING	13-16
• AURAWAKE	17
• BATTERY	18-20
• RETICLE	21
• WARRANTY	22

INTRODUCTION

This user's manual defines the basic operation, maintenance & features of the Promethean LP-1 proprietary optic system.

The LP-1 is an extremely durable, non-magnifying optical sighting system designed specifically for close-to-midrange engagement.

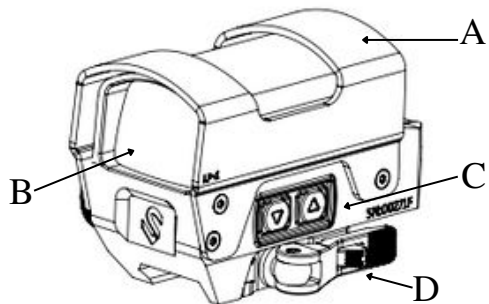
Promoting extremely quick target acquisition / engagement at short range while still providing mid-to-long range targeting capabilities, the LP-1 is designed with a full field-of-view (FOV) to encourage optimal situational awareness & provide an ample heads-up display (HUD) to virtually eliminate blind spots.

Providing a non-magnified picture, the LP-1 was not specifically designed as a dedicated long-range system; however, it can be effectively utilized out to 300 meters.

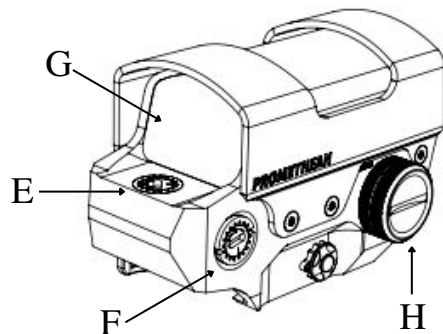
CONTENTS

THE LP-1 INCLUDES THE FOLLOWING:	
1	CR123A BATTERY
1	CLEANING CLOTH
1	WINDAGE & ELEVATION ADJUSTMENT TOOL
1	ONLINE USER MANUAL

PRODUCT IDENTIFICATION



A	HOOD
B	FRONT LENS
C	BRIGHTNESS CONTROL SETTINGS
D	QUICK DETACH LEVER



E	ELEVATION SETTINGS
F	WINDAGE SETTINGS
G	REAR LENS
H	BATTERY COMPARTMENT

SPECIFICATIONS

MAGNIFICATION	1X
OBJECTIVE LENS DIAMETER	26X35MM
RETICLE COLOR	RED
PARALLAX	PARALLAX FREE
CLICK ADJUSTMENT VALUE	0.5 MOA
WINDANGE & ELEVATION ADJUSTMENT	100 MOA
BRIGHTNESS CONTROL	3 NVG SETTINGS AND 7 DAYLIGHT SETTINGS
CENTER HEIGHT	40 MM
UNIT SIZE (L X W X H)	95 X 57 X 65 MM
BATTERY	CR123A

OPERATION

Control input is executed via two separate push buttons located on the left side of the unit housing. The buttons are sealed to prevent moisture or debris from entering. Always press firmly on the center of the button switch to ensure operation.

Turning ON

Pressing either button will turn the sight ON at the last saved brightness setting.

Turning OFF

Press & hold the UP arrow for three (3) seconds. Verify condition by looking through the window for illumination.

OPERATION CONT.

Brightness Adjustment

Pressing either button varies the brightness intensity of the reticle. Pressing **UP** increases brightness & **DOWN** decreases the brightness. The Promethean LP-1 features seven (7) daytime brightness settings & three (3) Night Vision brightness settings.

Changing Reticle

The Promethean LP-1 is designed with the ability to cycle reticle patterns between a simple dot, an empty circle & the full circle + dot. Simultaneously press both buttons to cycle reticle configurations. Once the desired reticle is selected, it will remain selected until cycled again by pressing both buttons simultaneously.

MOUNTING THE OPTIC

1. Push the locking latch inward, toward the optic's body, then depress the smaller textured QD cam so it moves away from the nested locked position in the base of the latch. The latch must be pushed inward before unlocking the knob. Once the knob is unlocked, the clamping interface will expand to fit the rail.
2. The mounting interface has a cross bolt which rests in the groove of 1913 rails. Move the bolt to the desired position & allow it to rest fully in the corresponding groove.
3. Push the LP-1 as far forward as possible once the cross bolt sits flush in the desired groove, then close the locking latch so it fully shuts & the textured knob securely nests in the base of the latch.
4. If the sight does not seem to be secure or the QD lever does not close completely, open the lever. Next, push against the QD lever towards the optic body to unseat the serrated adjustment nut on the opposite side, then rotate the nut clockwise for a tighter fit or counterclockwise to accommodate wider rails, until a proper fit is achieved.

SIGHT ADJUSTMENTS

The Promethean LP-1 employs a subtle click mechanism for both elevation & windage adjustments. These adjustment mechanisms are grooved with a slotted head & require the use of a flathead screwdriver, coin, spent brass or the included adjustment tool to rotate.

Adjustment Details

For both elevation & windage, each click will change point of aim approximately 1/2 Minute of Angle (MOA), 1/4" (6.35mm) at 50 yards (45.7m) or 1/2" (12.7mm) at 100 yards (91m) when zeroing.

SIGHT ADJUSTMENTS CONT.

To move the Point of Impact (POI) UP, rotate the elevation adjustment LEFT.

To move the POI DOWN, rotate the elevation adjustment RIGHT.

To move the POI RIGHT, rotate the windage adjustment RIGHT.

To move the POI LEFT, rotate the windage adjustment LEFT.

The LP-1 adjustments are factory collimated with the bore of the rifle parallel to the mounting rail.

The sight should be close to mechanical zero when mounted on a properly installed rail. Ensure the mount & sight are securely mounted after initial firing.

When encountering increased resistance in adjustments, the end of the adjustment range has been reached. Do not turn the adjustments any farther as serious damage may occur.

MAINTENANCE AND TROUBLESHOOTING

NEVER DISASSEMBLE THE SIGHT'S OPTICAL ASSEMBLY!

Disassembly will void warranty & cause permanent damage!

Cleaning Instructions

The Promethean LP-1's window is coated with anti-reflection material. When cleaning glass surfaces, blow away any dirt, dust or debris. Fingerprints & lubricants should be wiped off with the included lens tissue or a soft cotton cloth moistened with specific lens cleaning fluid. Always dampen glass surfaces before cleaning. To avoid damage, never clean either glass surface with a dry cloth.

No maintenance is needed on the surface of the body, except occasionally wiping with a damp, soft cloth. Use only a water-based cleaner such as glass cleaner, ammonia or soap & water. Never use any solvent-type cleaner such as alcohol or acetone to clean the surface of the body. Never use gun cleaner to clean or lubricate the surface of the body.

MAINTENANCE AND TROUBLESHOOTING CONT.

All moving parts are permanently lubricated with the exception of the quick-detach lever. If needed, add a controlled drop of lubricant to the lever assembly, then ensure excess lubricant is removed. Do not try to lubricate any other moving part.

TROUBLESHOOTING:

Will not power ON:

Ensure the LP-1 is actually off & not just in low brightness, by holding the UP button for three (3) seconds. Ensure the battery is inserted properly; the positive (+) end should be positioned face-down into the battery compartment with the negative (-) end facing out, toward the battery cap. Replace the used battery with a new, unused battery. Inspect the contact points for both the battery cap & inside the compartment to ensure they are free of debris or corrosion.

MAINTENANCE AND TROUBLESHOOTING CONT.

Reset the electronics by removing the battery for approximately two (2) minutes. This will allow the capacitor to drain power & reset. Insert the battery & resume normal operation.

Check the battery contacts for corrosion or wear, and, if necessary, clean the contacts.

If these steps do not resolve the issue, contact Lead & Steel for maintenance.

There is a streak in the reticle / reticle is dim / reticle fades

Replace the battery. If possible, before initiating a maintenance request, check with others & compare what you see to ensure the issue is not focal acuity related. If these steps do not resolve the issue, contact Lead & Steel for maintenance.

MAINTENANCE AND TROUBLESHOOTING CONT.

I am missing a bolt / have broken a bolt / have a broken mount, latch or knob

Contact Lead & Steel for maintenance.

The reticle is fuzzy / has a 'halo' effect / has more than one reticle

Lower the brightness level of the reticle. Generally, over-brightened reticles suffer distortion. The reticle brightness should not block the target. The reticle is projected onto the target plane. Do NOT focus on the sight housing, rather, focus on the target. The outer ring references the center, similar to a ghost ring.

If you wear corrective lenses for nearsightedness, they are required to see the reticle in focus as projected onto the target plane.

If you wear bifocals or have astigmatism, you may experience reticle distortion, regardless.

If these steps do not resolve the issue, contact Lead & Steel for maintenance.

AuraWake

AuraWake is our patent-pending take on a safer implementation of shake-to-wake designs seen in the industry today. Many optics will auto shut off after a set number of hours to conserve runtime. Accelerometers (small motion sensing devices) are commonly utilized in optics to activate them once the weapon is picked up. However, these devices may exhibit unreliability after heavy impact testing, and is why we initially decided against general shake-to-wake in the LP-1. However, we are now proud to announce AuraWake, our new partial shake-to-wake system that ties the accelerometer ONLY to the 65 MOA ring. Simply put, after 5 minutes of non use, the LP-1's outer CQB ring will "sleep," yet maintain the 2MOA dot on at all times. This provides a constant, action-ready aiming reference that cannot be interfered with upon accelerometer failure, while significantly increasing runtime

BATTERY

The Promethean LP-1 is powered by a single CR123A Lithium battery, which is designed to maintain consistent power output as it drains. Reticule brightness will not fade as the battery expires. Instead, it will shut down abruptly, by design. As a general practice, always consider replacing the battery before direct action. Always remove the battery for long-term storage.

Replacing the Battery

Remove the battery cap by rotating it counter-clockwise until it separates from the battery compartment. After the cap is removed, slide the used battery out of the compartment & replace it.

Insert a new battery into the compartment with the positive (+) end facing the housing. Likewise, the negative (-) end should be visible & facing out, away from the housing. The inside of the battery cap displays a negative (-) designation to ensure proper installation.

BATTERY CONT.

To reinstall the battery cap, properly align the cap with the battery compartment and carefully begin to thread the cap, turning it clockwise. Before tightening, ensure the threads are properly aligned to avoid cross-threading.

If resistance is encountered, stop tightening immediately and ensure the threads are properly aligned. Immediately verify proper installation by powering the unit on and checking for illumination.

Battery Life

Estimated battery life is predicated on reticle configuration and intensity. Please refer to the life cycle chart, which provides an estimated continuous runtime, in hours, for each brightness setting and reticle configuration. For long term storage, consider shutting the optic off to conserve battery life.

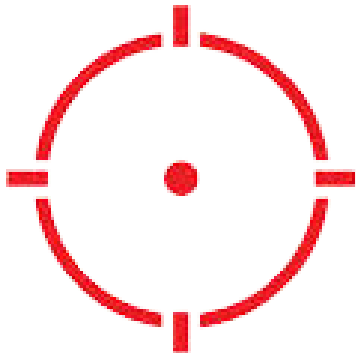
BATTERY CONT.

Brightness setting and reticle configuration is determined by use. Individual users should refer to the life cycle chart to determine the optimal brightness setting and reticle configuration for their particular use and storage, respectively.

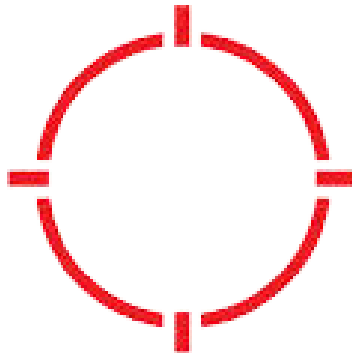
Example: Reticle configuration of circle and dot, on brightness setting 3, has an estimated continuous runtime of 58,140 hours.

POWER SETTING	1	2	3	4	5	6	7	8	9	10
2 MOA DOT	2,500,000 HRS	882,353 HRS	500,000 HRS	153,061 HRS	59,524 HRS	31,250 HRS	19,420 HRS	9,696 HRS	1,105 HRS	623 HRS
65 MOA RING	1,666,667 HRS	128,205 HRS	63,559 HRS	15,136 HRS	6,263 HRS	4,110 HRS	3,247 HRS	2,547 HRS	892 HRS	474 HRS
65 MOA RING+DOT	1,666,667 HRS	118,110 HRS	58,140 HRS	13,863 HRS	5,695 HRS	3,667 HRS	2,695 HRS	2,066 HRS	581 HRS	287 HRS

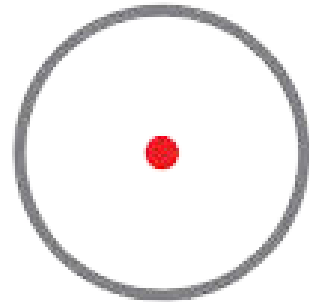
RETICLE



65 MOA RING + 2 MOA DOT



65 MOA RING ONLY



2 MOA DOT ONLY

WARRANTY

With the Lead & Steel Limited Lifetime Warranty, we promise your LP-1 will be free from manufacturing defects in material and workmanship (including electronics) under normal use for a lifetime period for the original purchaser. Proof of purchase from Lead & Steel, or an authorized distributor, is required. Lead & Steel will, as determined by L&S, either repair or replace the product with a comparable product for the lifetime period, free-of-charge. This warranty does not extend / transfer to subsequent owners.

SERVICE AND REPAIR:

For service or repair please contact us at

Lead & Steel

7780 Corporate Blvd, STE 1517

Plain City, OH 43064

614.905.4096

customerservice@leadandsteel.co